

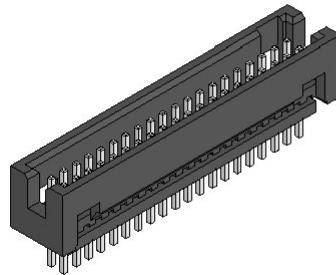
Box Header 1.27 mm

180° & SMT Series

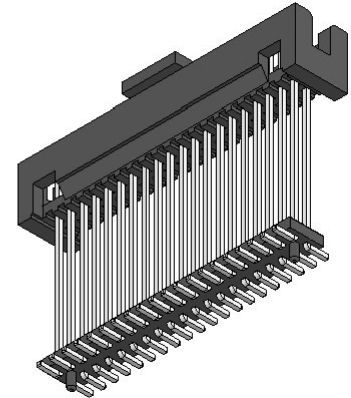
SPECIFICATIONS

Current Rating: 1 A
 Insulator Resistance: 1000 MOhm min.
 Dielectric Withstanding: AC 500 V
 Operating Temperature: -40°C ~ +105°C
 Soldering Temperature: 260°C for 3~5 sec. max
 Contact Material: Copper Alloy
 Insulator Material: Polyester, UL 94V-0
 Standard: Nylon-6T
 Finish: Tin, Gold or Duplex Plated
 Standard: Gold Flash all over
 Note: Duplex Plating: Gold Plated on contact area, Tin on solder area

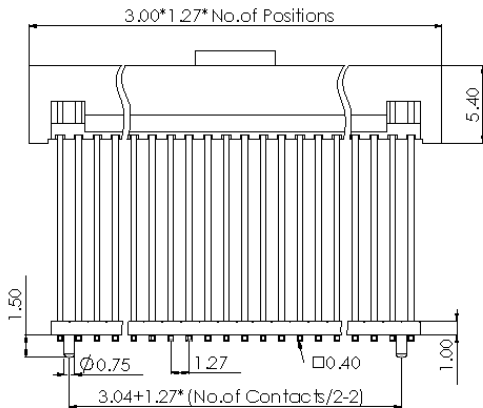
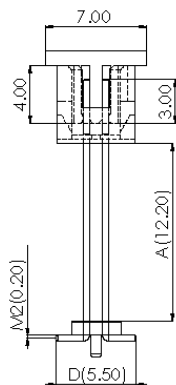
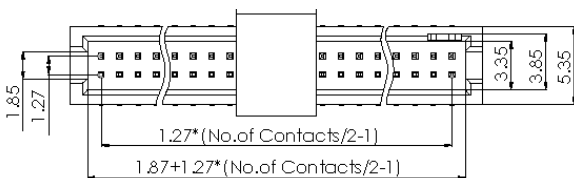
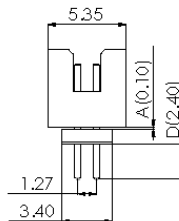
B611-SGN-D024/001-XX



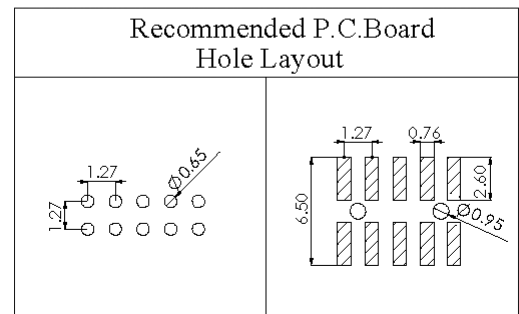
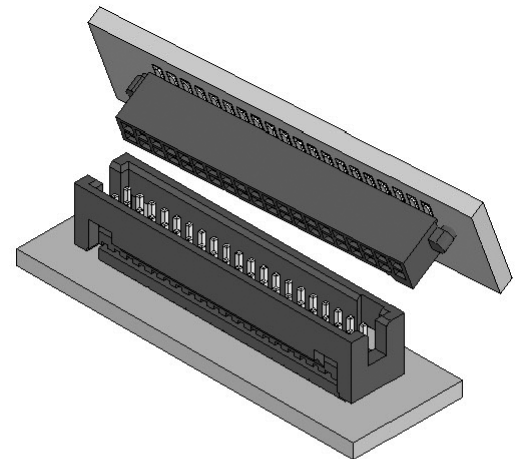
B611-M2GN-D055/122-XX-PRC



[B611]



[B611]-PRC



How to order

Unit: mm

Series	Connector Type	Contact Plating	Material	Pin Length mm	Number of Contacts	Other
BXXX	- X	X	X	- DXXX/XA	- XX	- PRC
B611: B/H 1.27 H: 5.40 Dual Row	S: Straight Type M: SMT Type M2: 0.20 M3: 0.23 M4: 0.25 ...	G: Gold Flash T: Tin Plated A: 10U" Gold B: 15U" Gold C: 20U" Gold ⊙ Duplex Plating D: Gold Flash/Tin (Standard: G)	N: Nylon-6T	S-D D024 (001) M-D D055 (122)	(10 TO 100 Contacts)	P: PEG R: REEL C: CAP